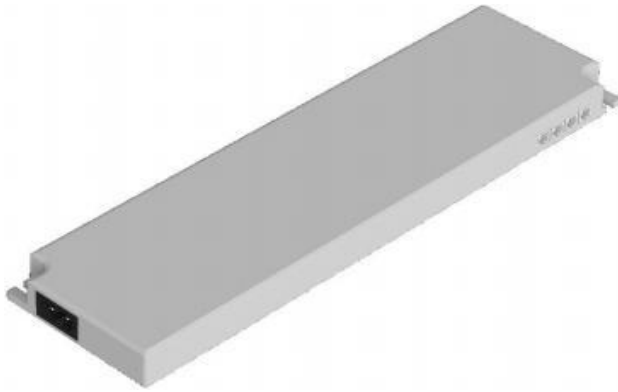


IP20 LED Power Supply



Features:

- . Suitable for global input voltage(100-240VAC).
- . Active PFC function.
- . IP20.
- . Suitable for indoor environment
- . Protections: Short circuit / Over temperature/
Over voltage
- . Plastic case with thickness 16.5mm
- . Warranty 5 years



Description:

SNP90-24VFC-UE is an indoor constant voltage LED driver, rated input voltage AC100-240Vac, with the high efficiency up to 92%, working in -20°C ~ +40°C natural cooling housing temperature range, it has a super high PF and ultra-low THD, Low standby power consumption, all-round protection function, which not only greatly improves the reliability of products but also ensures the life cycle of products. This series for LED Lighting design, applied to interior lighting design. suitable in almost all kinds of indoor applications where LED lamps can be installed. The product designed completely in accordance with worlds lighting equipment safety regulations to ensure the safety of both user and luminaire system during installation.

Model:

Model	Output voltage	Output current	Max. Output power	Output current precision	Power factor (Typ.)	Efficiency (Typ.)
SNP90-24VFC-UE	24V	0-3.75A	90 W	± 5%	> 0.95	92%

Remark: All the parameters are measured at 230VAC input, full load and 25 °C of ambient temperature if they are not specially mentioned.

IP20 LED Power Supply

Input :

Parameter	Min. value	Typical value	Max. value	Note
Rated input voltage	100 Vac	230Vac	240Vac	
Input voltage	90Vac		264Vac	
Input frequency	47Hz	50Hz	63Hz	
Max. Input current			1.2A	100Vac, Full Load
Input inrush current			80A	230Vac/50Hz, Cold Start
Power factor	0.95	0.97	0.99	230Vac, Full Load
Total harmonic input		10%	20%	230Vac, Full Load
Leakage current			0.7mA	230Vac/50Hz, Full Load
Stand-by power consumption		0.45W	0.5W	230Vac/50Hz, No Load

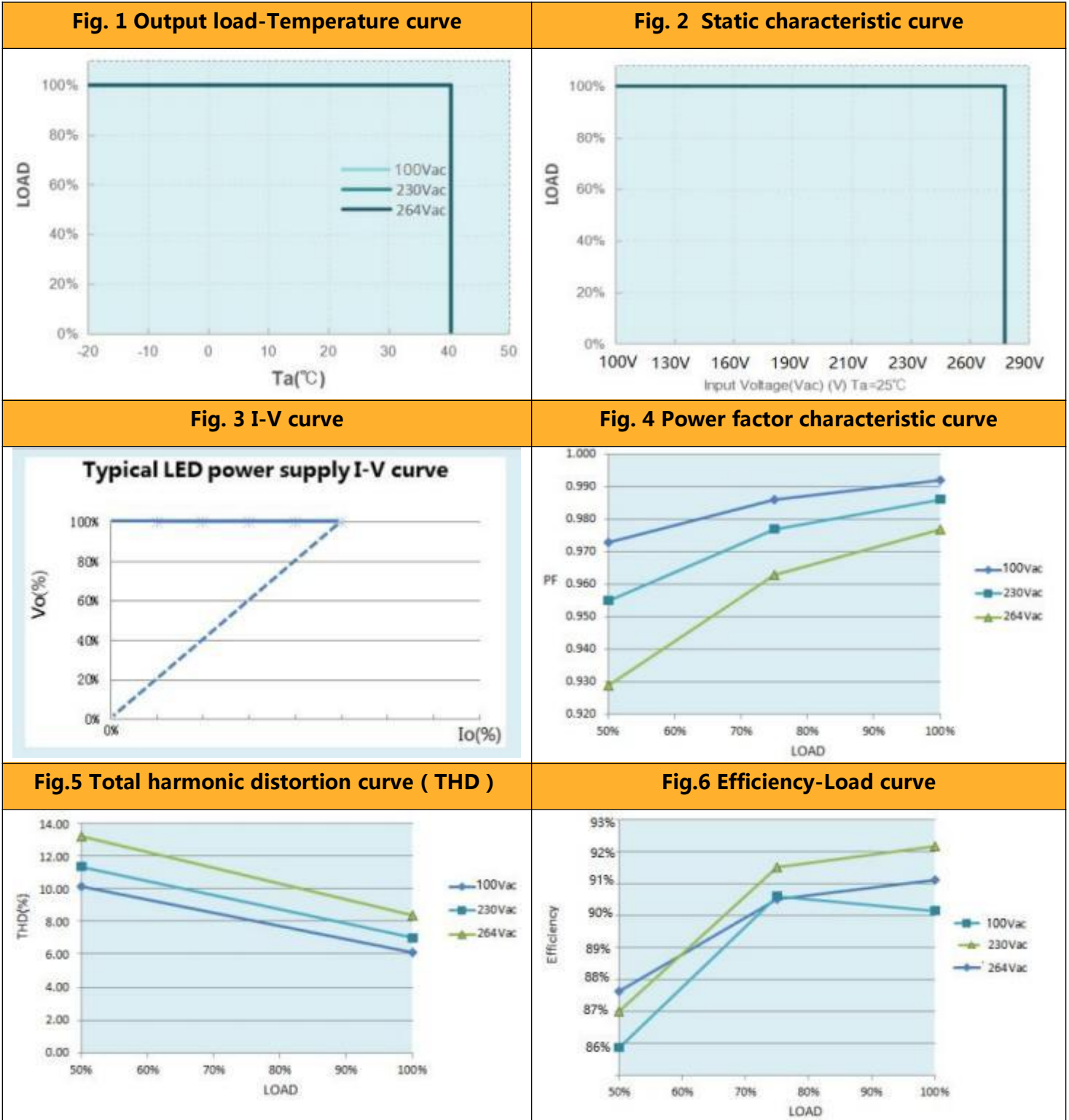
Output:

Parameter	SNP90-24VFC-UE		Note
Output voltage	24.0VDC		Max. Output power should compliance to $P_o = V_o \cdot I_o = 90W$
Rated output current	3.75A		
Output current	0-3.75A		
Rated output power	90W		
Rated output efficiency	92%		230Vac
Output voltage precision	± 5%		
Output voltage ripple (PK-PK)	3%		Full load (Test under 20M bandwidth)
Output current ripple (PK-PK)	---		Full load (Test under 20M bandwidth)
Rise time	---		230Vac
Startup time	<500mS		230Vac
Line regulation	3%		Full Load
Load regulation	3%		



IP20 LED Power Supply

Characteristic curve:



Protection:

Parameter		Conditions	Note
Protection	Over load	<100W	Auto-recovery after overload removed.
	Short circuit	Output short circuit	Auto-recovery after short circuit removed.
	Over temperature	70± 5°C TA	After the temperature drops, can restored after restart.

Environment Requirement:

Parameter	Min.	Typ.	Max.	Note
Working temp.	-20°C	25°C	+40°C	See Fig.2
Storage temp.	-40°C	25°C	+85°C	
Working humidity	10%RH		90%RH	
Storage humidity	5%RH		95%RH	
IP grade			IP20	Indoor
Cooling mode	Natural cooling			

Safety&EMC standard:

Certificate	Safety standards	Certification	Note
UL/CUL	---		
TUV	EN61347-1:2015 EN 61347-2-13:2014+A1 EN62493:2015		
SAA	AS/NZS 61347.2.13		
CCC	---		
CE	EN 61347-2-13:2014 +A1 EN61347-1:2015		



IP20 LED Power Supply

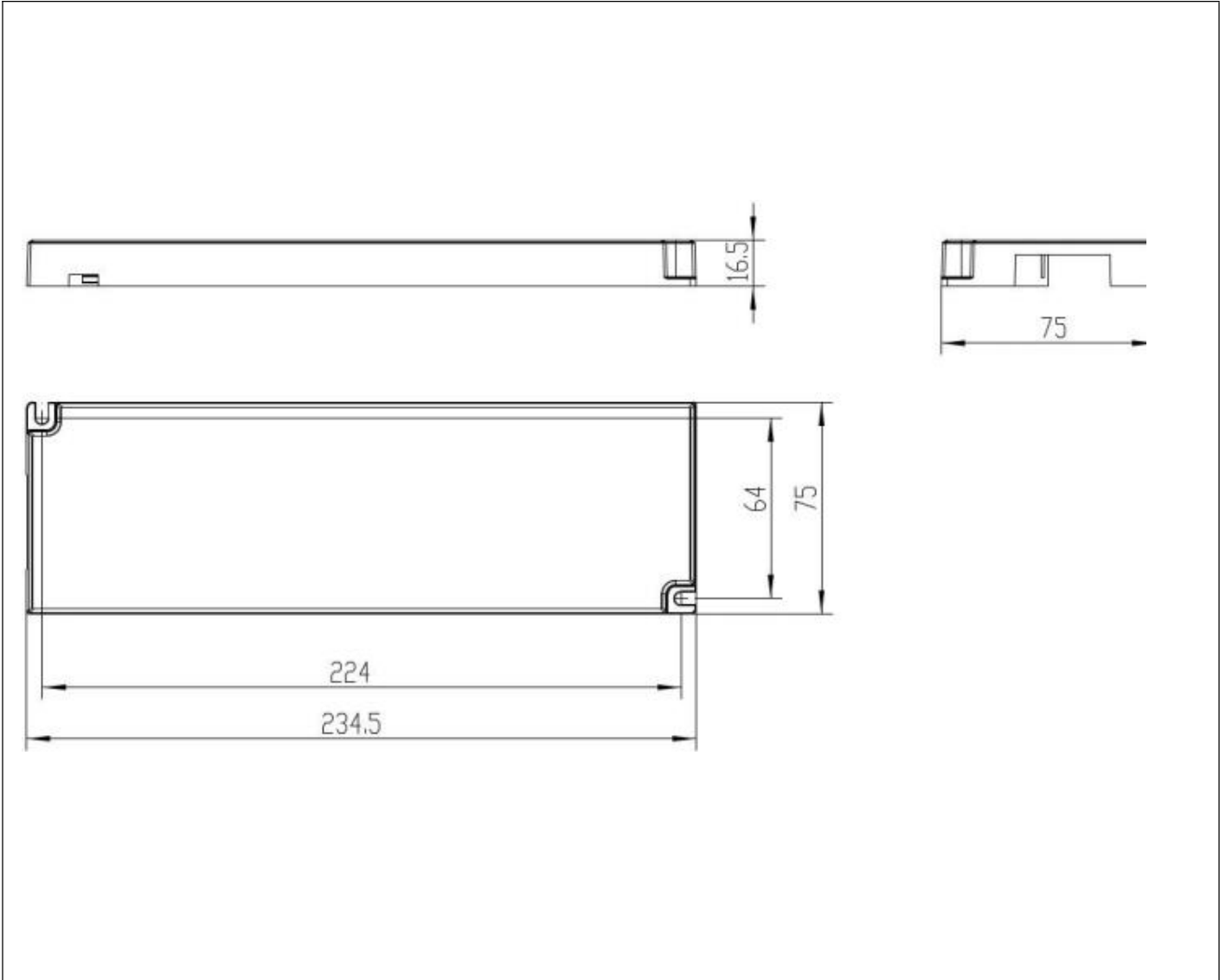
Safety test		Qualification	
Dielectric compressive strength	Input to output	3750Vac/5mA Max/60s	Reinforced insulation,no breakdown, no flashover
	Primary to ground	---	Basic insulation,no breakdown, no flashover
	Secondary to ground	---	Functional insulation,no breakdown,no flashover
Insulation resistance	Input to output	$\geq 10M\Omega$	Test voltage : 500Vdc
Grounding resistance		---	25A/1min
Leakage current		$\leq 0.75mA$	264Vac
EMI/EMS item		Standard/Level	Data
Conduction CE		EN55015	
Radiation RE		EN55015	
Harmonics		EN IEC 61000-3-2	Class C

Others:

Parameters	Condition	note
Lifetime	30,000 hours	230Vac,full load, TA 40°C
MTBF	200,000 hours	230Vac,full load,TA 25°C (MIL-HDBK-217F)
TC	80°C	
Warranty	5 years	---
Weight	260g	
Dimensions	234.5*75*16.5 (mm)	L x W x H

IP20 LED Power Supply

Mechanical Specification (Unit : mm)



Remark :

AC Input	Terminal + H03VVH2-F 2*0.75mm ²
DC Output	Terminal + H03VVH2-F 2*0.2mm ² x8